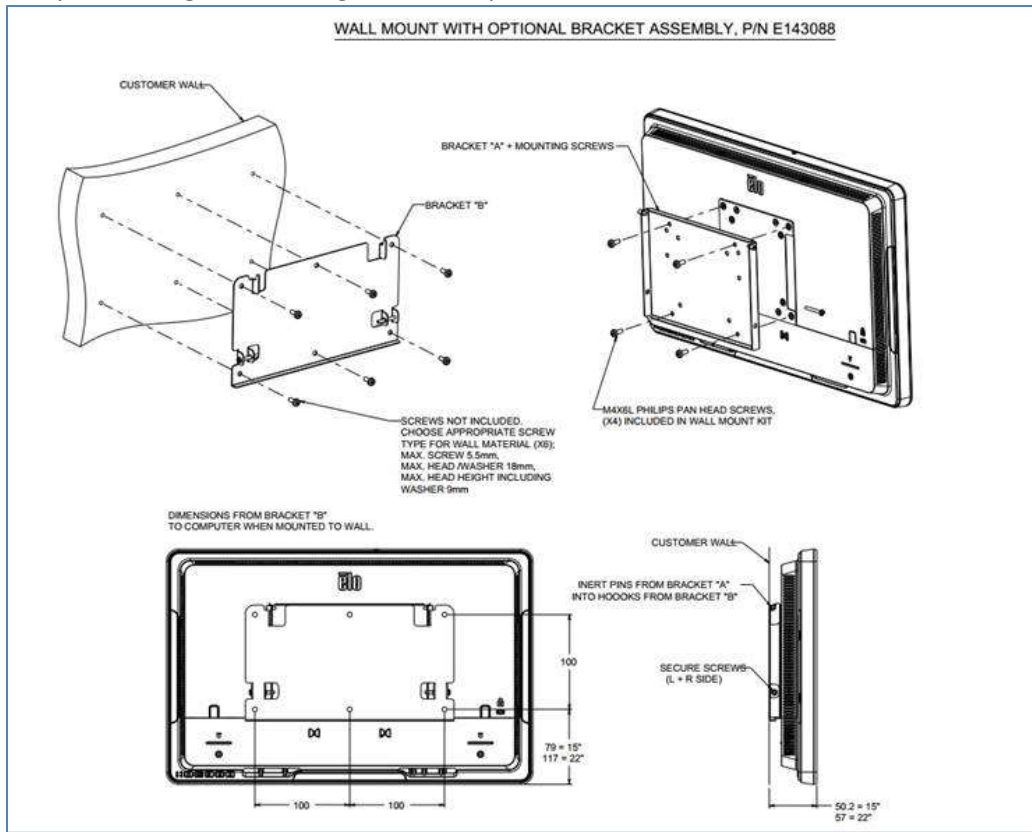


Executive Summary

This technical bulletin describes how to use the E143088 Wall Mount Kit.

Procedure

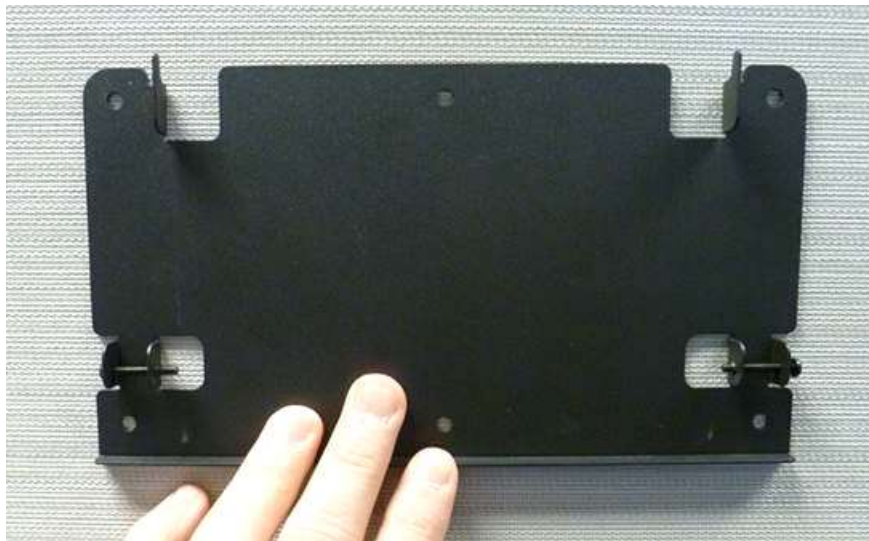
1. Example drawing of mounting on I-Series product:



2. Mount square plate to back of i-series unit.



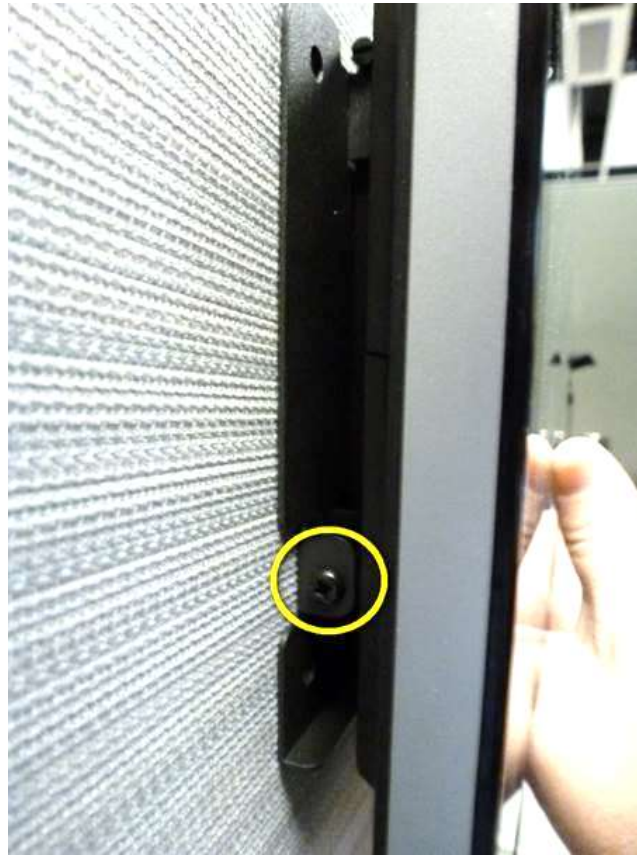
3. Mount rectangular wall plate to wall.



4. Hang i-series unit on wall bracket by sitting it down over the two hooks



5. Tighten side screws to fasten monitor down.



6. Example drawing mounting bracket to E-Series product:

